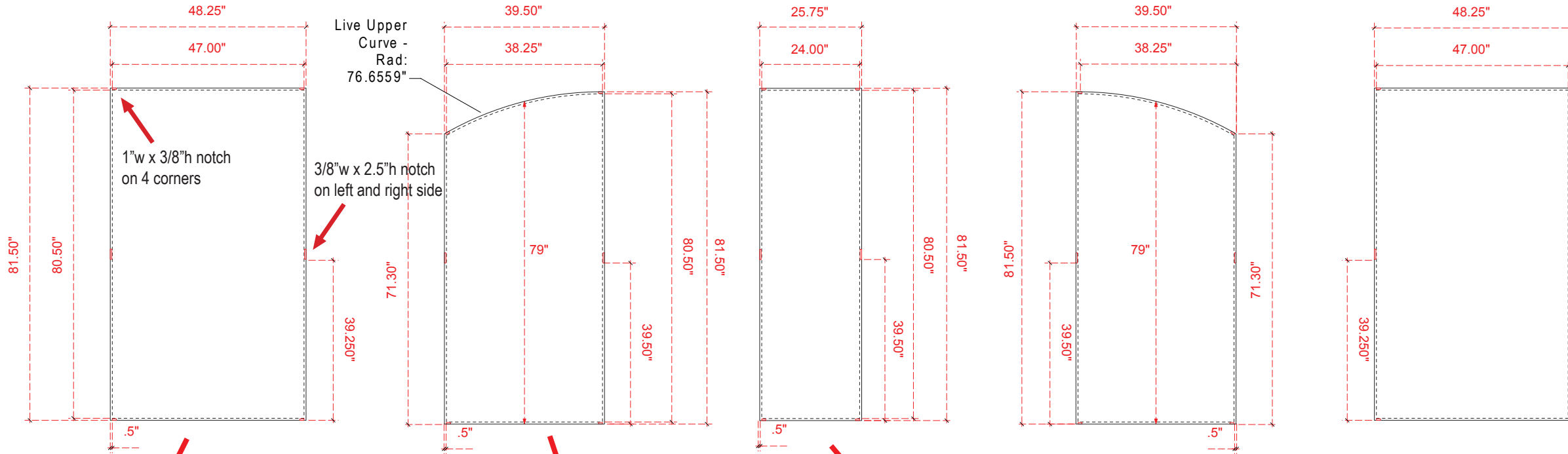


NOTE: Graphic files must be @ 150 dpi Finished Size.
DO NOT send Flattened Files. Production can not manipulate
the content, proportion or color of these files.



Finished Size: 48.25"w x 81.50"h

Live Area: 47.00"w x 80.50"h

Add 1/2" bleed around perimeter

Sew 1/2" hook Velcro into front perimeter

Finished Size: 39.50"w x 81.50"h

Live Area: 38.25"w x 80.50"h

Add 1/2" bleed around perimeter

Sew 1/2" hook Velcro into front perimeter

Finished Size: 25.75"w x 81.50"h

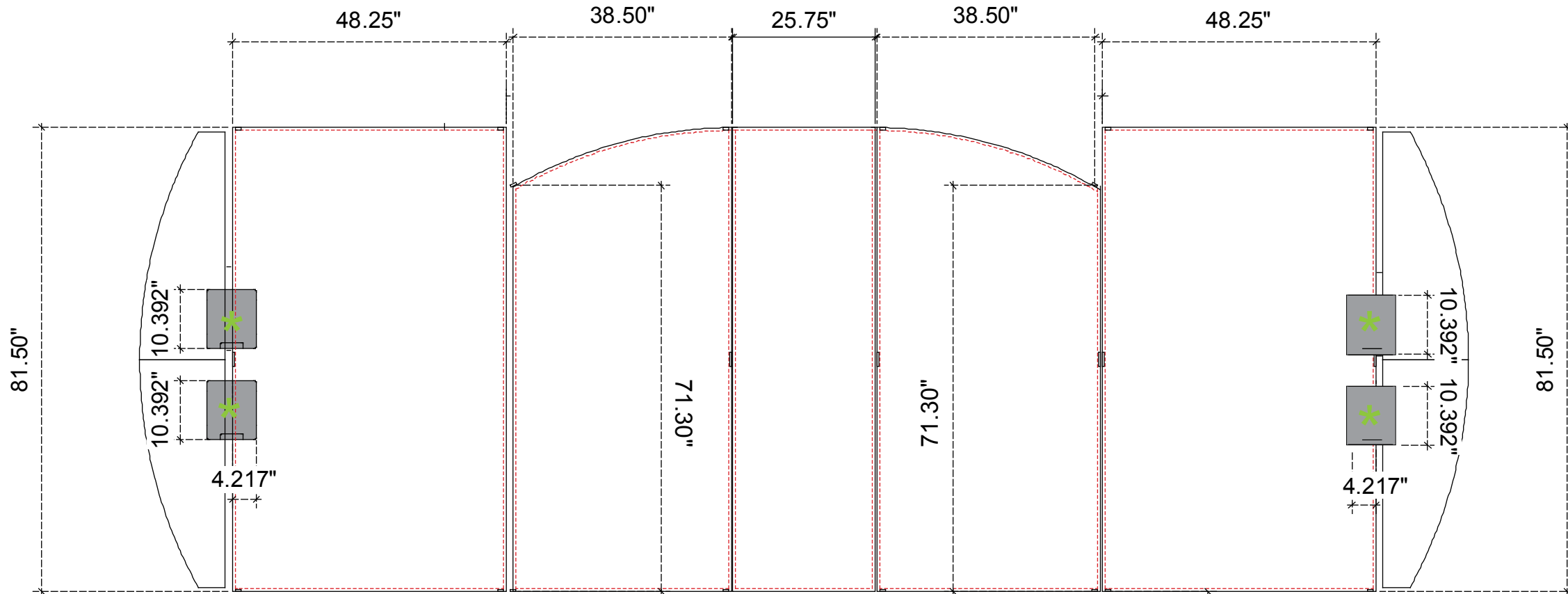
Live Area: 24"w x 80.50"h

Add 1/2" bleed around perimeter

Sew 1/2" hook Velcro into front perimeter

NOTE: These dimensions are for graphic layout purposes.
Graphic needs to be cut and test fitted to Sacagawea frame.

NOTE: Graphic files must be @ 150 dpi Finished Size.
DO NOT send Flattened Files. Production can not manipulate
the content, proportion or color of these files.



NOTE: The height of Literature Racks can be adjustable.*

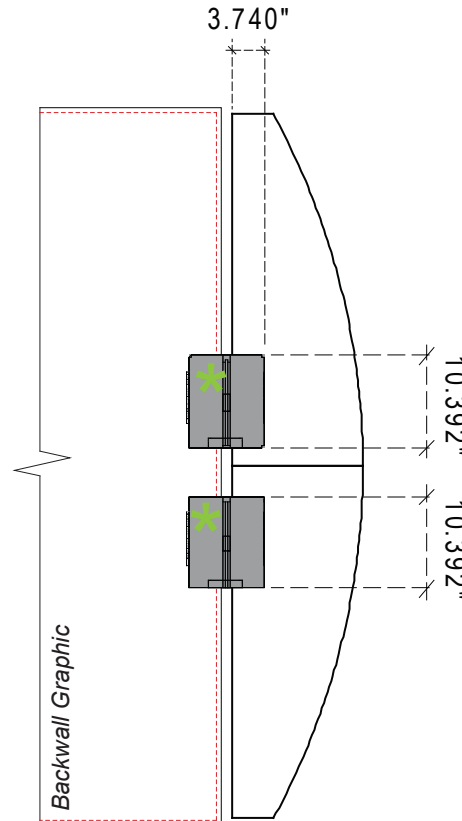
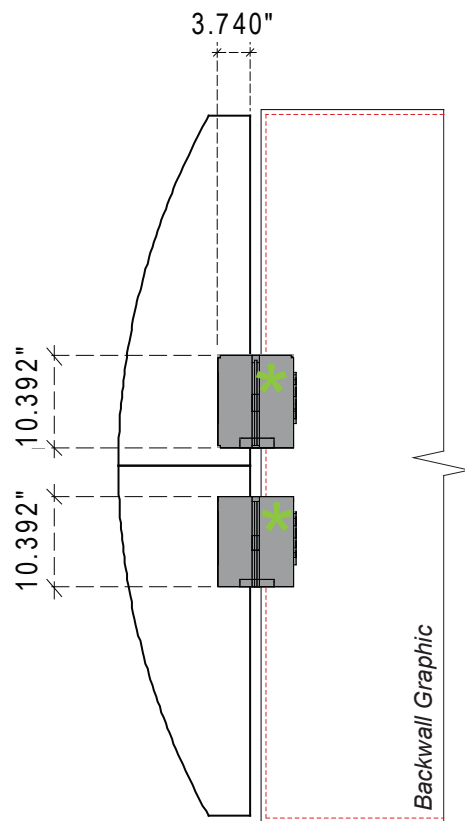
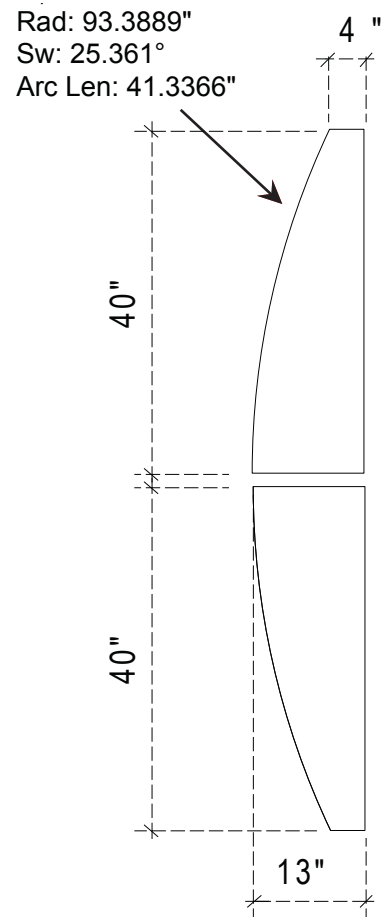
NOTE: When adding Monitors and Counters to the Sacagawea unit, portions of the graphic will be covered.
Please design graphic layout according to suggested locations.*

NOTE: These dimensions are for graphic layout purposes.
Graphic needs to be cut and test fitted to Sacagawea frame.

Product Name: VK-2115
Process: Direct Print
Material: 1/4" Sintra
Effective Date: 11/1/2013

NOTE: Graphic files must be @ 150 dpi Finished Size.
DO NOT send Flattened Files. Production can not manipulate the content, proportion or color of these files.

Convex Wing
20' Unit includes (2) Bottom Panels and (2) Upper Panels



Note: The height of Literature Racks can be adjustable.*